



NX650C

6.5" COMPONENT SPEAKER SYSTEM

Installation Instructions / Owner's Manual



INTRODUCTION

Congratulations on your purchase of a NXS speaker system. Your selection of a NXS Mobile Audio product indicates a true appreciation of fine musical reproduction. Whether adding to an existing system or including the NXS component speakers in a new system, you are certain to notice immediate performance benefits.

RECOMMENDATION

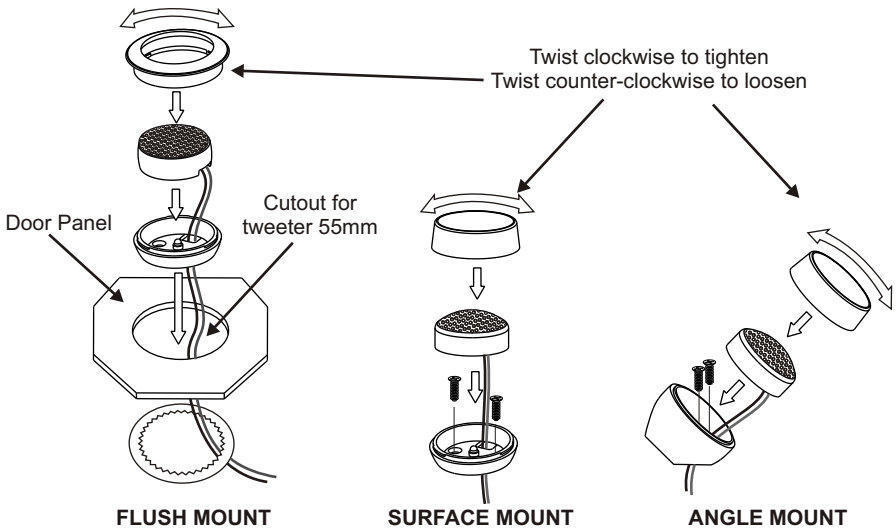
A speaker's performance is only as good as its installation. Proper installation and mounting location, will maximize the overall performance. We highly recommend that you have your component speakers installed by an authorized NXS retailer. However, if you decide to install them yourself, please review the following installation guide. For up to date product and technical information, please visit our website at www.nxsmobileaudio.com.

WARNING!

Exposure to high sound pressure levels can cause hearing loss or damage. Listening to your system at loud levels while driving, will impair your ability to hear traffic sounds and emergency vehicles. Use common sense when listening to your system.

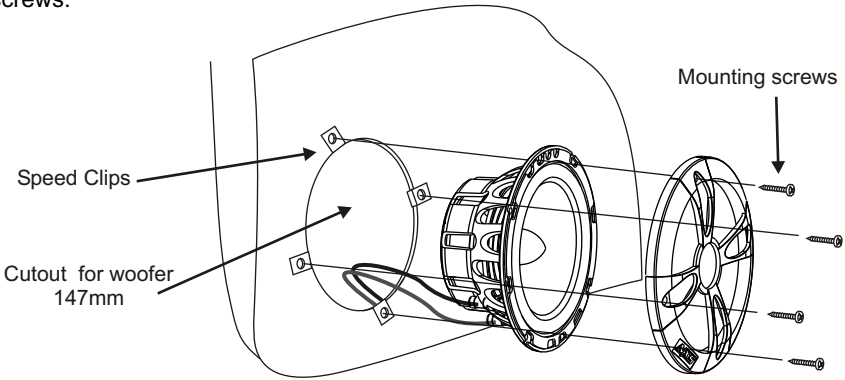
TWEETER INSTALLATION

To optimize the tweeter's mounting location we provide three different mounting configurations. Determine the best mounting type for your application and follow the mounting illustrations below.



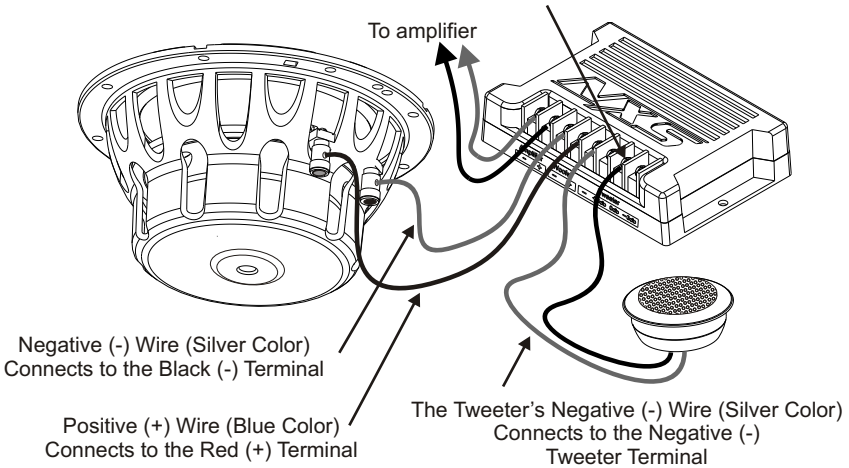
WOOFER INSTALLATION

In most cases the woofer can be mounted in the vehicle's factory location without the need to cut a hole in the door panel. However if a alternate location is selected, use the enclosed speaker template to mark and cutout the holes required for the woofer and screws. If needed the speed clips provided can be used to secure the mounting screws.



CONNECTIONS

The tweeter's positive (+) wire (blue color) connects to one of the three positive (+) tweeter terminals (+3dB, 0dB or -3dB) depending on the desired output level for the tweeter. In the following example we have connected the tweeter in the 0dB position.



SPECIFICATIONS

Size	6.5" Component	Tweeter Protection	Yes
Type	2-Way	Peak Input Power	150W
Frequency Response	55Hz-22kHz	Continuous Input Power	75W
Crossover Slope	12dB	Sensitivity	91dB
Tweeter Adjustment	-3dB, 0dB, +3dB	Impedance	4 ohm

Due to continuing product improvement, design and specifications subject to change without notice.

TAKE CONTROL



www.nxsmobileaudio.com